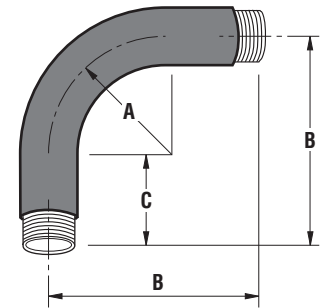


**7.6 - CODO CONDUIT RIGIDO DE ALUMINIO. SERIE CAL-PC  
CON RECUBRIMIENTO EXTERIOR DE PVC E INTERIOR DE URETANO PURPURA.**

**7.6 - ALUMINUM RIGID ELBOW.  
PVC COATING AND PURPLE URETHANE INNER COATING.**

- A prueba de ambientes corrosivos.
  - Recubrimiento PVC: 40 mils mínimo.
  - Uretano: 2 mils mínimo.
  - Recubrimiento de Uretano PURPURA en las roscas
  - Aleación de aluminio 6063, sin costura. T1, T5  
Cumple especificaciones de:  
Underwriters Laboratories UL - 6A  
ANSI C80.5
  - Rosca NPT.
- For use in corrosive environments.
  - PVC coating: 40 mils minimum.
  - Urethane: 2 mils minimum.
  - Purple urethane on threads.
  - 6063 aluminum alloy. T1, T5  
Compliances:  
Underwriters Laboratories UL - 6A  
ANSI C80.5
  - NPT threaded



USAR No. DE CODIGO PARA HACER PEDIDOS / TO ORDER USE CODE NUMBER

Catalogo Catalog	Codigo Code	Medida Nominal Size		Diametro exterior Outside diameter		Diametro interior Inside diameter		Espesor de pared Wall thickness		A		B		C		Peso x 100 Weight x 100	
		mm	inch	mm	inch	mm	inch	mm	inch	mm	inch	mm	inch	mm	inch	kg	Lb
CAL-13-PC	12.41.3448.PC	12.7	1/2	23.37	0.920	15.88	0.625	3.71	.146	101.6	4.0	219	8.62	115	4.52	14.9	32.7
CAL-19-PC	12.41.3449.PC	19.0	3/4	28.70	1.130	21.12	0.831	3.79	.149	114.3	4.5	216	8.50	115	4.52	22.1	48.6
CAL-25-PC	12.41.3450.PC	25.4	1	35.43	1.395	26.86	1.057	4.27	.167	146.1	5.75	249	9.80	106	4.17	36.5	80.3
CAL-32-PC	12.41.3451.PC	31.8	1 1/4	44.19	1.740	35.30	1.389	4.45	.175	184.2	7.25	291	11.45	112	4.40	56.5	124.3
CAL-38-PC	12.41.3452.PC	38.1	1 1/2	50.29	1.980	41.16	1.620	4.57	.180	209.6	8.25	346	13.62	140	5.51	78.6	172.9
CAL-50-PC	12.41.3453.PC	50.8	2	62.36	2.455	52.74	2.076	4.78	.188	241.3	9.50	385	15.15	150	5.90	127.9	281.4

Medida Nominal Size		Piezas x atado Pieces per bundle	Std. Pkg. Pzas. Pcs.
mm	inch		
12.7	1/2		30
19.0	3/4		30
25.4	1		12
31.8	1 1/4		15
38.1	1 1/2		8
50.8	2		1

Especificaciones sujetas a cambio sin previo aviso. Specifications are subject to change without notice.

**RAWELT, S.A. de C.V.**

**RAWELT**  
**PURPURA**  
COAT